

I authorize Davidson Sash & Door to make the window screens below according to the measurements, box frame, color, screen cloth, hardware and hardware placement per my specifications. I understand that Davidson Sash is not responsible for the fit of window screens below and if incorrect window screens are not returnable.

Approved By: _____ Date: _____

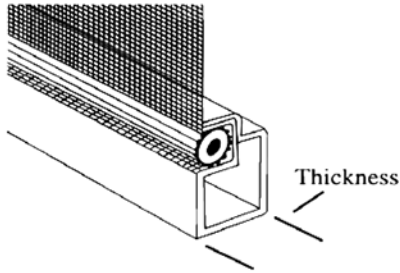
Davidson Sash & Door

800/472-7274 Fax: 336/249-7750

Instructions For and Information Needed When Ordering Window Screens

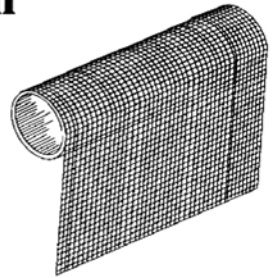
1. Thickness of Box Frame

- A. 1/4"
- B. 5/16"
- C. 3/8"
- D. 7/16"



2. Type of Screen Cloth

- A. Dark Charcoal Fiberglass
- B. Silver Gray Fiberglass
- C. Brite Aluminum



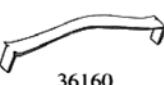

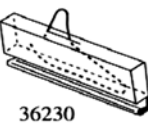

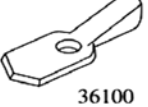
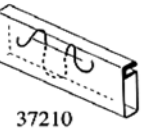


3. Color of Box Frame

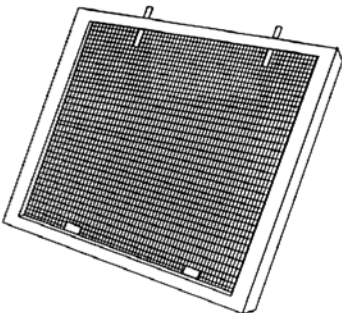
- A. Mill
- B. White
- C. Dark Bronze

4. Type of Hardware

(Other types of hardware are available)

| | | | |
|---|---|--|---|
|  36170 Loop Latch |  37100 Pull Tab |  36160 Tension Spring |  36290 Slide Latch |
|  36230 Wire Spring |  36190 Spring Plunger |  36100 Pointer Latch |  37210 Rams Horn |

5. Placement of Hardware



Please tell us what type of hardware and how many inches from corner of screen hardware should be placed. Tell us if hardware is on the width or height of screen.

6. Use This Diagram When Calling In Your Order

1. Thickness of Box Frame _____
2. Type of Screen Cloth _____
3. Color of Box Frame _____
4. Type of Hardware _____
5. Placement of Hardware _____
6. Exact Screen Size
Width _____ Height _____

